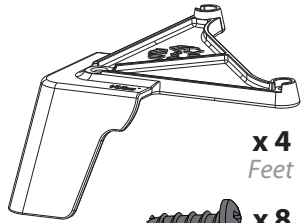


**Yube**



**x4**  
Feet



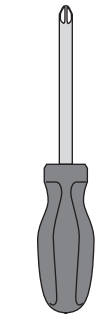
**x8**

Mounting Screws



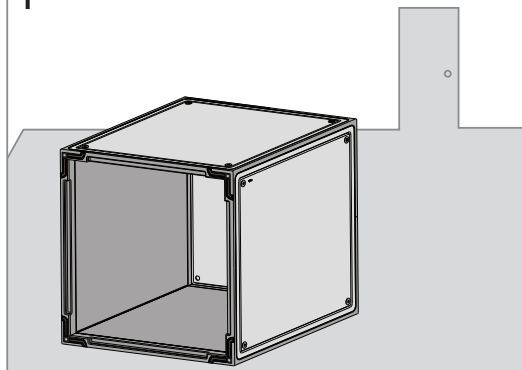
**x4**

Mounting Pins



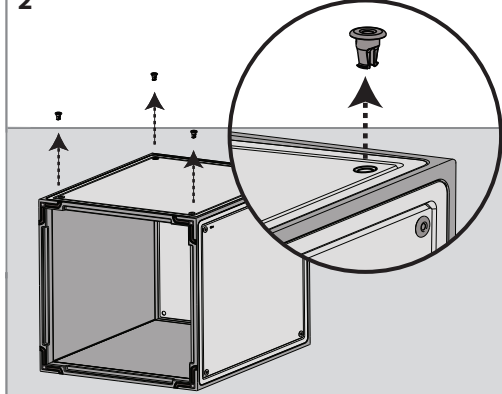
**Needed**

**1**



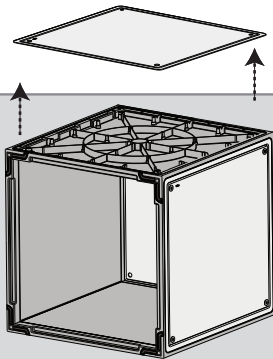
*Begin on flat surface with bottom side up*

**2**



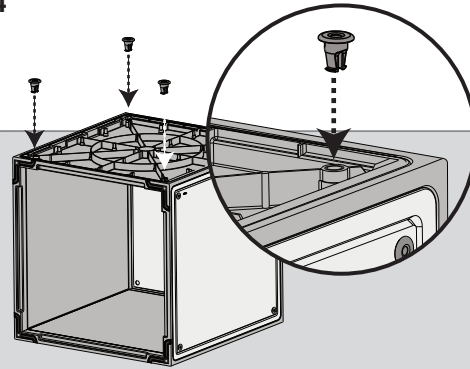
*Pop off 4 bottom panel clips*

**3**



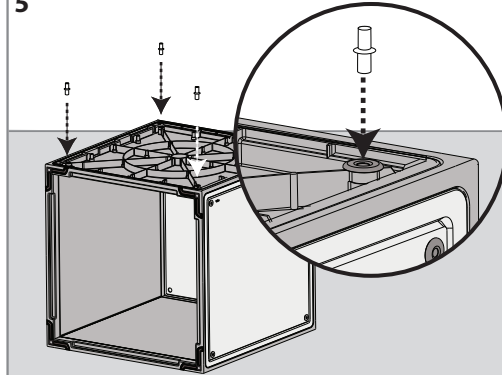
*Remove bottom panel*

**4**



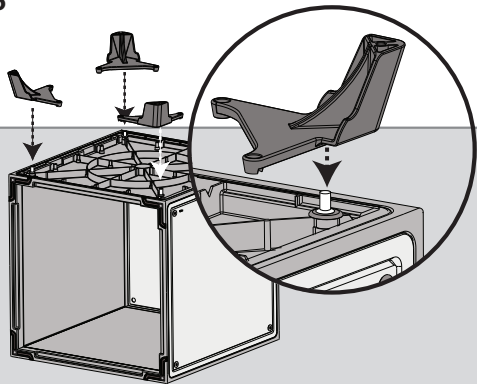
*Replace panel clips back into frame*

**5**



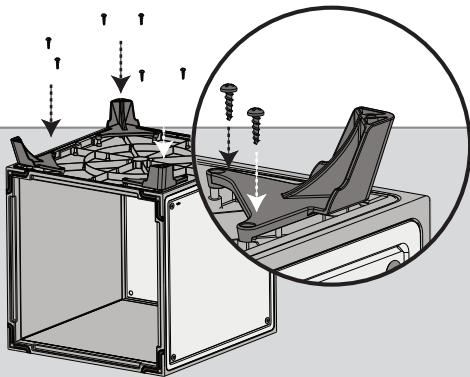
*Push 4 foot pins into hole in panel clip*

**6**



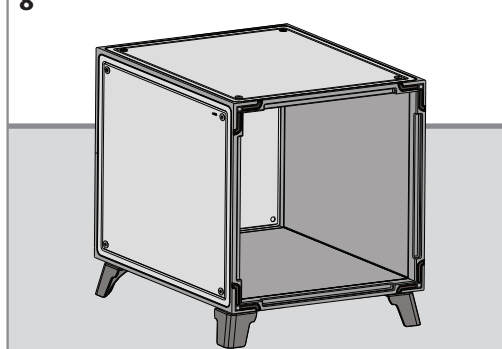
*Locate 4 feet onto pins*

**7**



*Secure feet in place with 8 screws*

**8**



*Turn over to enjoy your elevated Yube.*